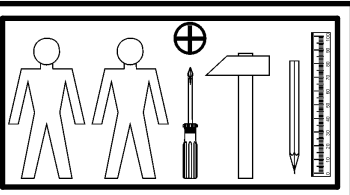
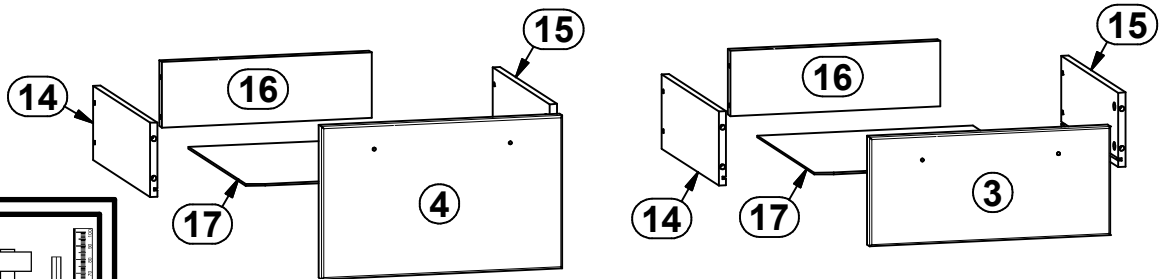
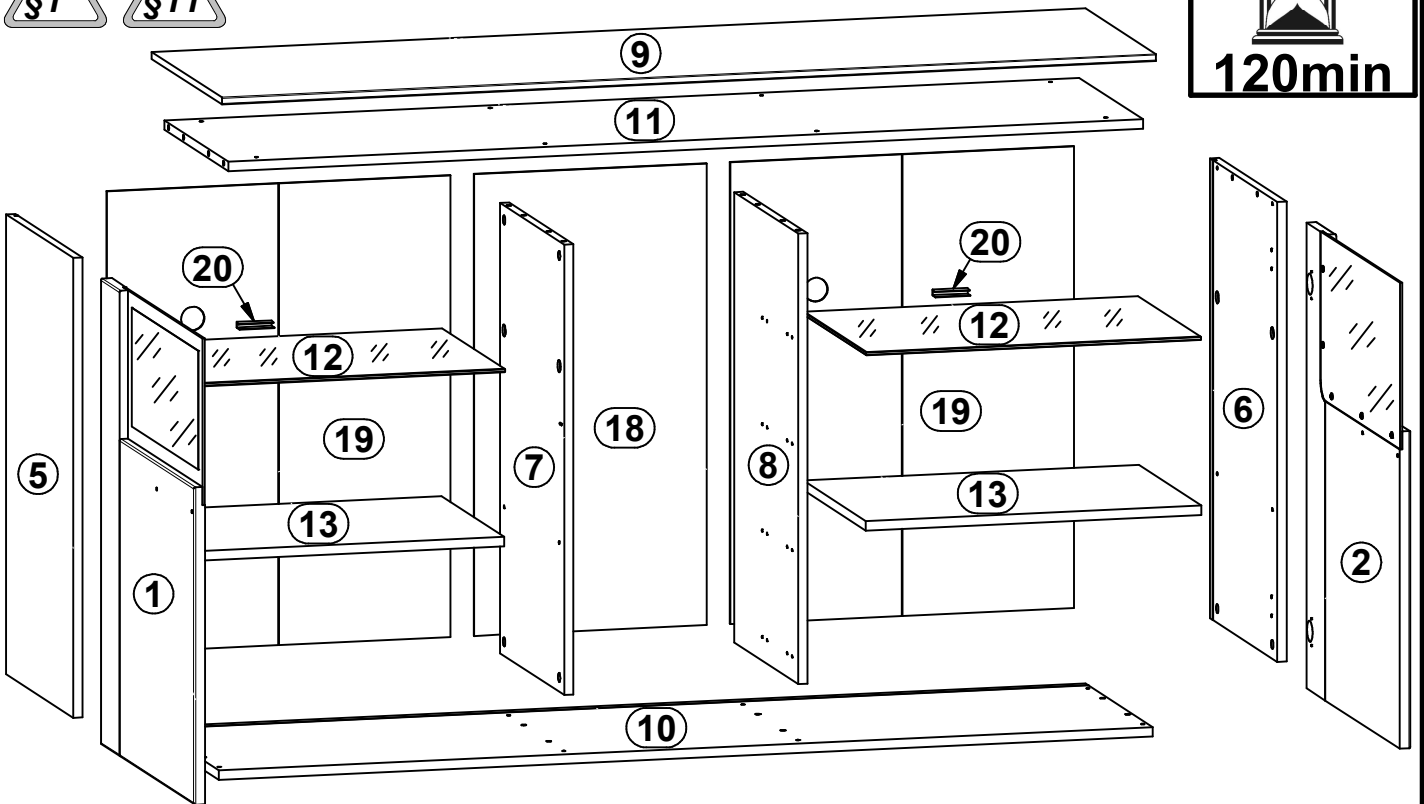
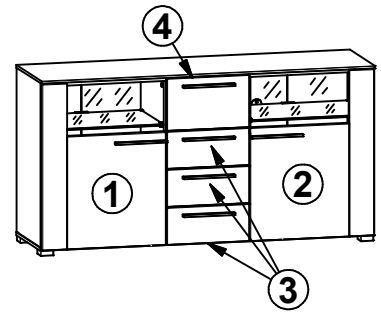
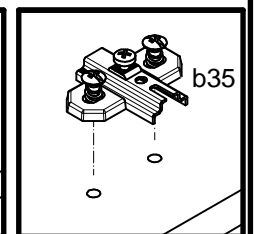
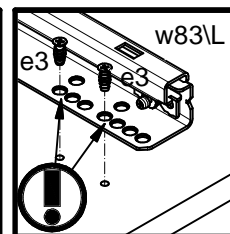
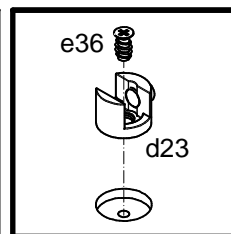
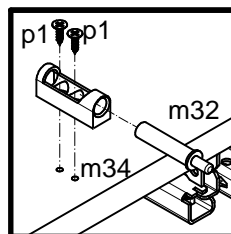
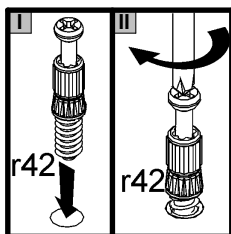
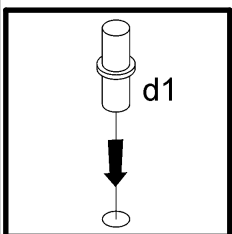
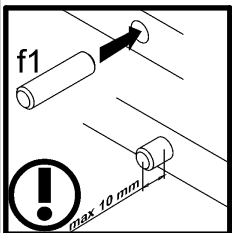
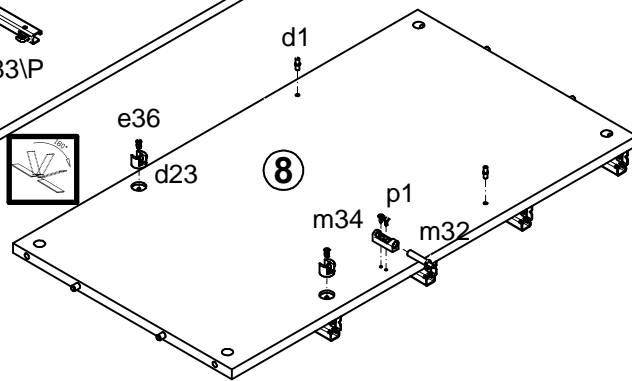
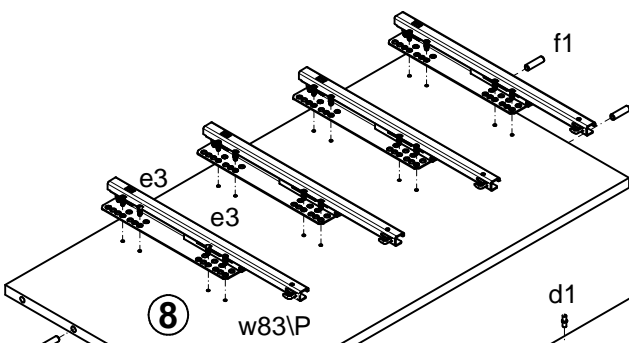
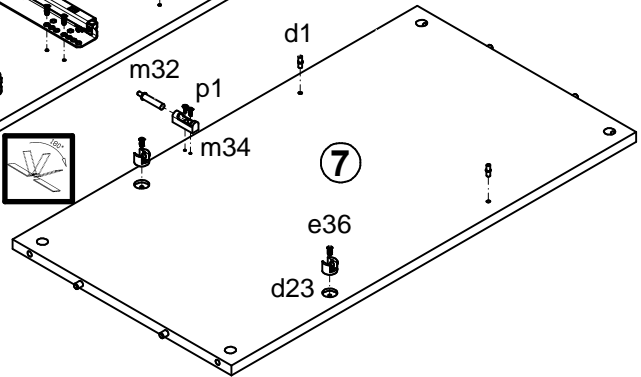
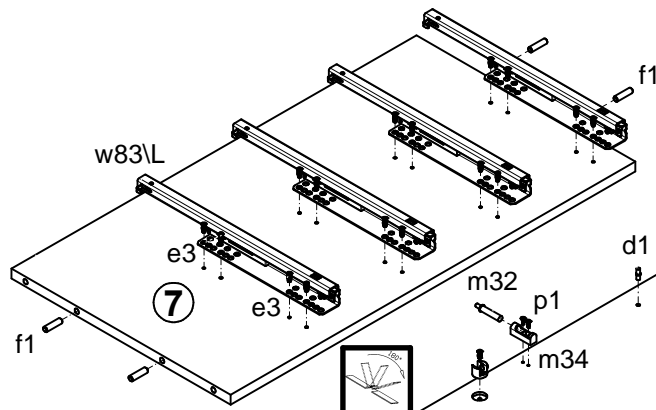
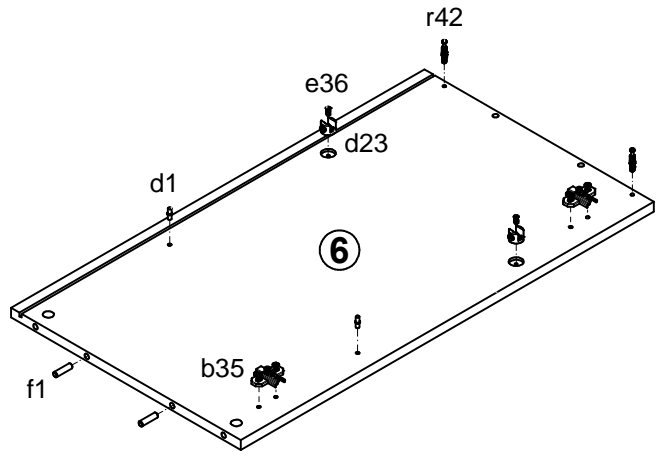
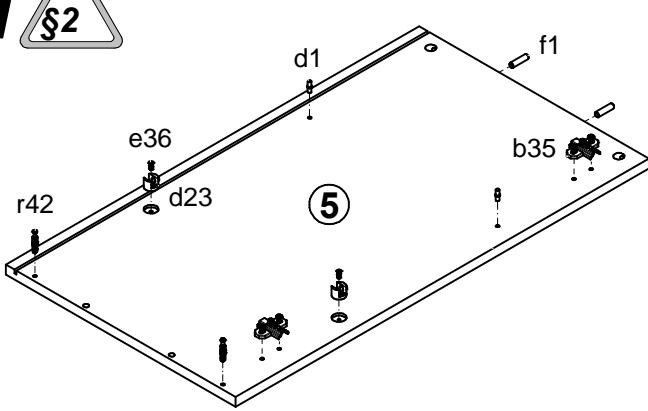


A	B	C	D	A	B	C	D		
1	S145-004	784	596	2/2	11	S145-311	1567	410	1/2
2	S145-005	784	596	2/2	12	S145-312	574	400	1/2
3	S145-008	396	176	2/2	13	S145-313	575	400	1/2
4	S145-009	396	247	2/2	14	S145-501	350	120	1/2
5	S145-107	774	430	1/2	15	S145-502	350	120	1/2
6	S145-108	774	430	1/2	16	S145-503	345	106	1/2
7	S145-109	758	410	1/2	17	S145-904	355	358	1/2
8	S145-110	758	410	1/2	18	S145-905	777	398	1/2
9	S145-206	1600	450	1/2	19	S145-9902	777	589	1/2
10	S145-207	1600	430	1/2	20	qb20/2	LED		1/2

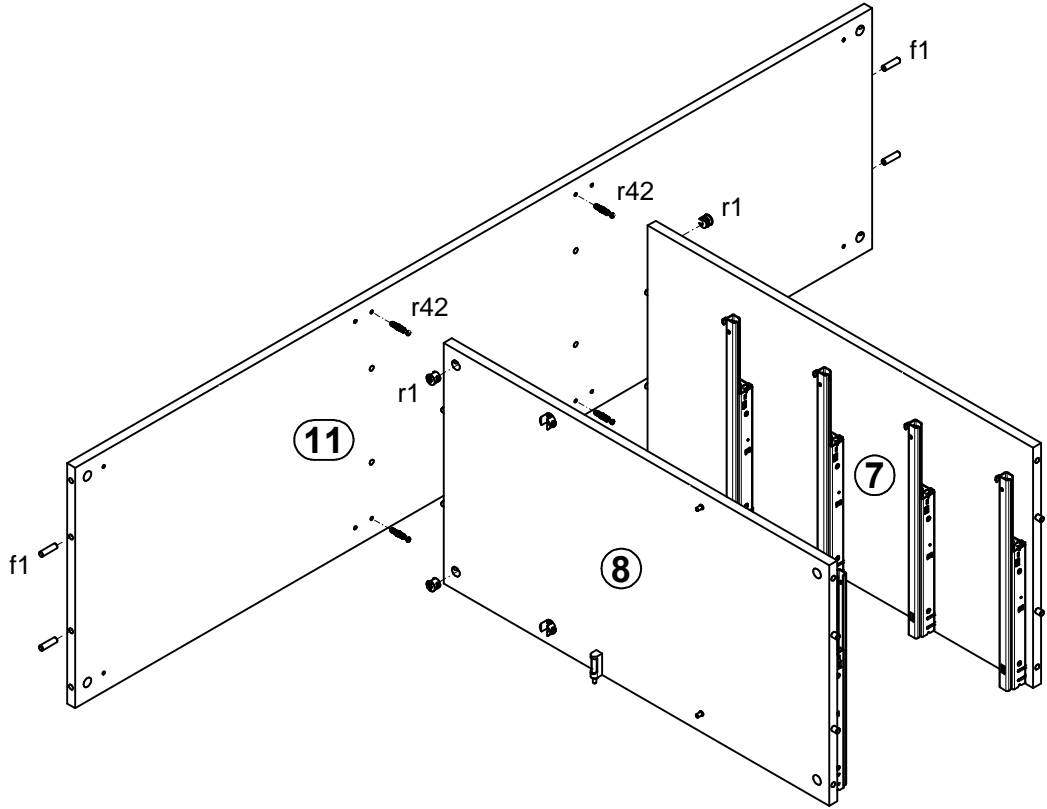
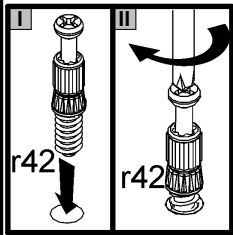
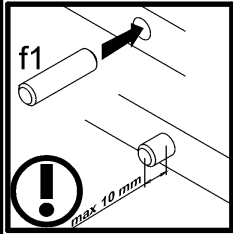


4x a44	4x b35	6x c322	8x φ5x17 mm d1	8x d23	32x φ6x13 mm e3	8x φ6.0x11 mm e36	16x φ8x30 mm f1	16x φ6.5x40 mm f25
6x k55	50x l1	9x l2	2x m32	2x m34	8x silikon o21	4x φ3.5x13 mm p1	12x φ4x40 mm p10	16x φ3.5x16 mm p38
8x φ3.5x15 mm p51	12x φ4x35 mm p6	8x φ4x25 mm p8	16x φ15x12mm #16 r1	16x φ12x10.5mm #12 r15	32x r42	16x ø16 s2	2x s53	4x 350 mm w83 P
4x 350 mm w83 L	1x n26 1	1x φ3.5x16 mm p38						

1 



2



3

